

Specifics

- Swivel pull-down spout, push-button diverter and 65" braided nylon flexible hose
- Maximum flow of 6.8L/min (1.8 gpm) at 60 psi
- Brass body; zinc handle, stainless steel spout
- Low-lead (less than 0.25%)
- 9/16-24 UNEF connections with flexible stainless steel braided connectors
- 4 AA batteries up to 1-2 years lifespan (not included)

•Functions

- Infrared sensor (with 2.5" - 6.5 cm range) will activate / deactivate flow with hand movement
- Handspray will automatically be activated when pulled from its housing
- Manual override possible for regular handle use
- A safety timer will automatically close water after 3 minutes of no activity

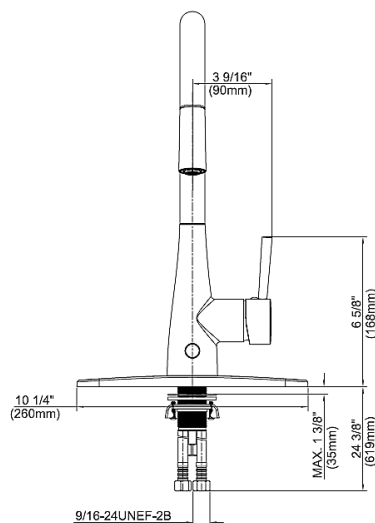
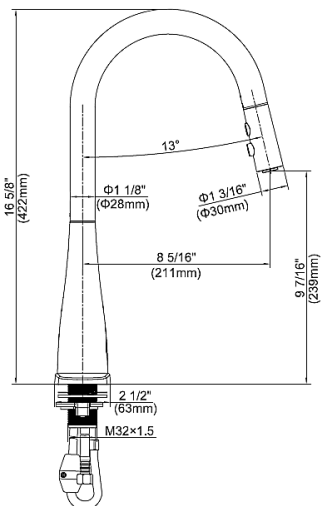
•Standards

Third party certified to IAPMO ASME A112.18.1/CSA B125.1 and all applicable requirements referenced therein including NSF 61/9G & 372

- Contains no more than 0.25% weighted average lead content
- Complies with California Energy Commission requirements
- The backflow protection system in the device consists of two independently operating check valves, a primary and a secondary which prevent backflow

Installation

- Single-hole / 3-hole installation (Cover plate included)
- Integrated check valve with KliK Connection



Specifications



Models: RF412002

Single Handle Pull-Down Kitchen Faucet With dual-sensor function



CEC

Close up view of Control Box

