

Specifics

- Swivel high arc spout
- Maximum flow of 6.8L/min (1.8 gpm) at 60 psi
- Green non-metallic body; zinc handle, stainless steel spout
- Low-lead (less than 0.25%)
- 9/16-24 UNEF connections with flexible stainless steel braided connectors

Functions

- Lever style handle
- Temperature and flow rate controlled by 90° arc of handle travel
- Operates with less than 5 lbs. of force
- Operates in stream mode
- Spout rotates 360 degrees

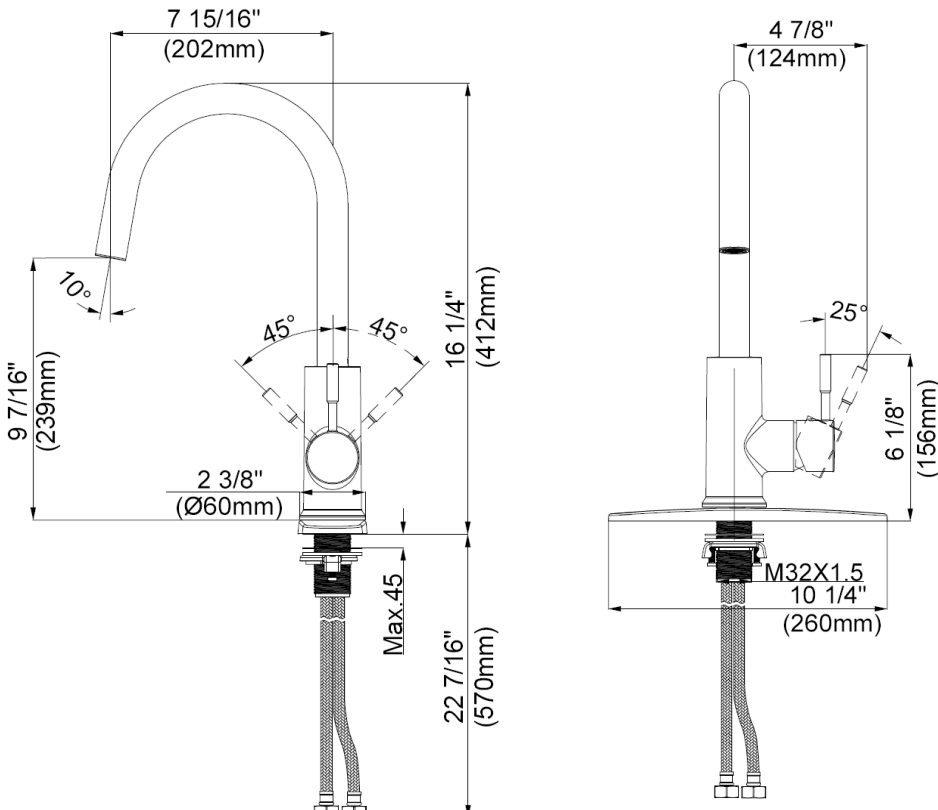
Standards

Third party certified to IAPMO ASME A112.18.1/CSA B125.1 and all applicable requirements referenced therein including NSF 61/9G & 372

- Contains no more than 0.25% weighted average lead content
- Complies with California Energy Commission requirements

Installation

- Single-hole / 3-hole installation (Cover plate included)
- Patented KliK Connection



Specifications



Models: RF421001

Single Handle
Kitchen Faucet



CEC