

## Specifics

- Swivel pull-down spout with “pause” button, push-button diverter and 65” braided nylon flexible hose
- Maximum flow of 6.8L/min (1.8 gpm) at 60 psi
- Brass interior, zinc body; zinc handle, stainless steel spout
- Low-lead (less than 0.25%)
- 9/16-24 UNEF connections with flexible stainless steel braided connectors

## Functions

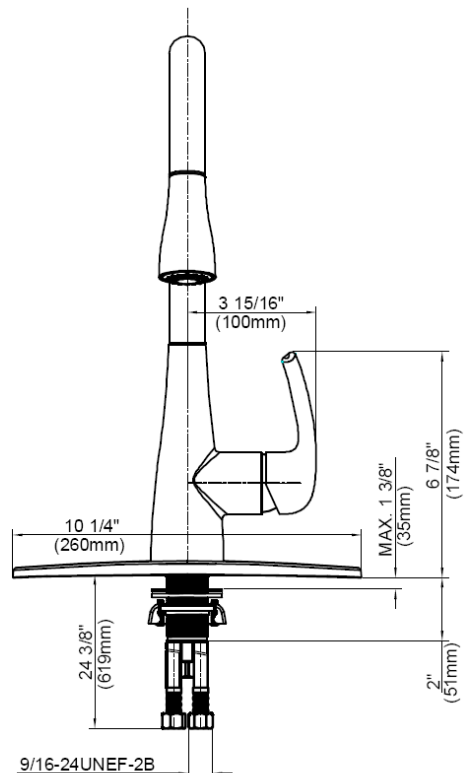
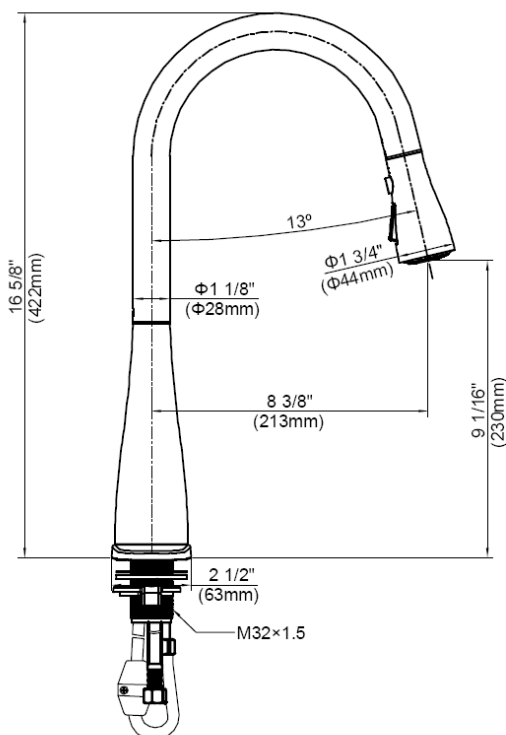
- Lever style handle
- Temperature and flow rate controlled by 90° arc of handle travel
- Operates with less than 5 lbs. of force
- Operates in stream or spray mode in the pull down or retracted position
- Spout rotates 360 degrees

## Standards

- Third party certified to IAPMO ASME A112.18.1/CSA B125.1 and all applicable requirements referenced therein including NSF 61/9G & 372
- Contains no more than 0.25% weighted average lead content
  - Complies with California Energy Commission requirements
  - The backflow protection system in the device consists of two independently operating check valves, a primary and a secondary which prevent backflow

## Installation

- Single-hole / 3-hole installation (Cover plate included)
- Patented KliK Connection



## Specifications



## Models: RF422001

## Single handle pull-down kitchen faucet



CEC